



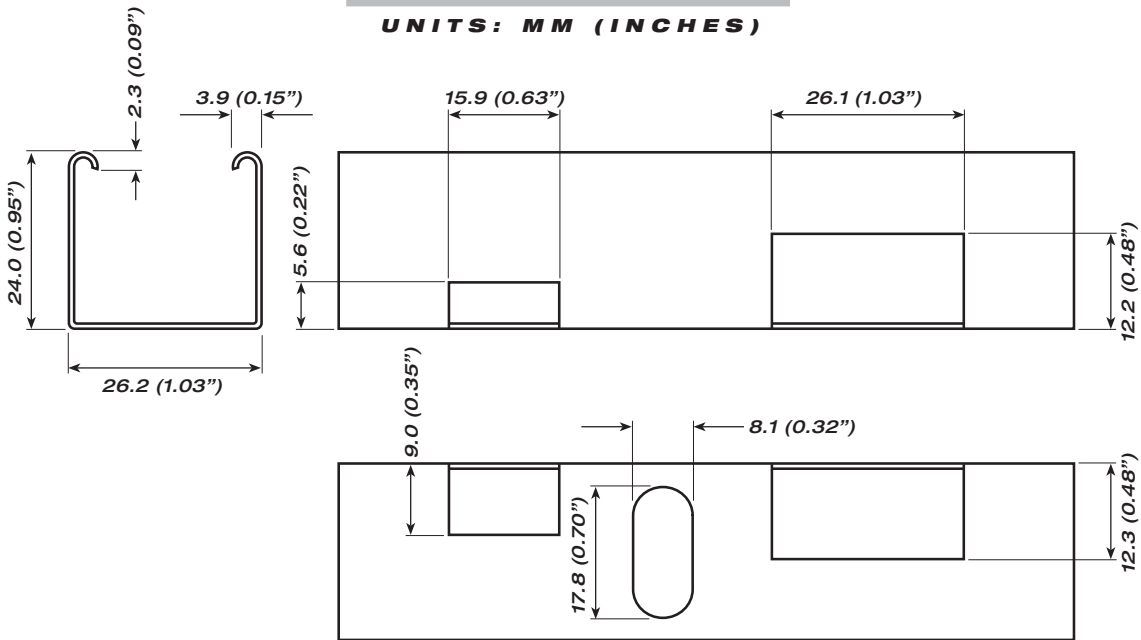
**1.0 INCH / 25 mm**

**VENTANA**

COMPONENTS

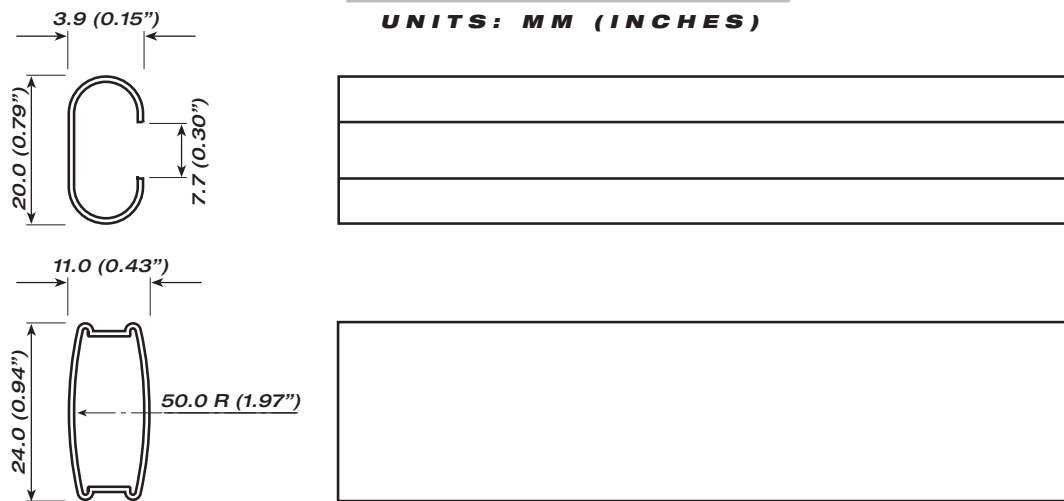
**1.0 INCH / 25mm**  
**HEAD RAIL**  
**SPECIFICATIONS**

**UNITS: MM (INCHES)**



**1.0 INCH / 25mm**  
**BOTTOM RAIL**  
**SPECIFICATIONS**

**UNITS: MM (INCHES)**





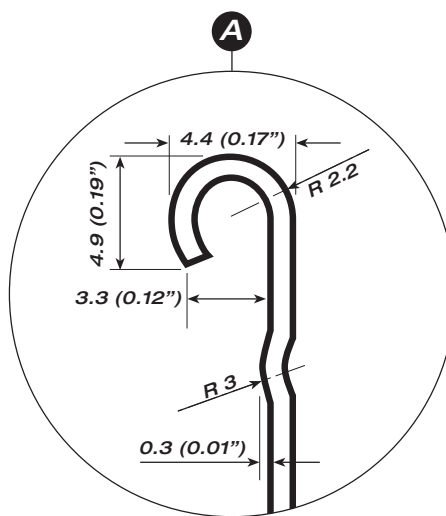
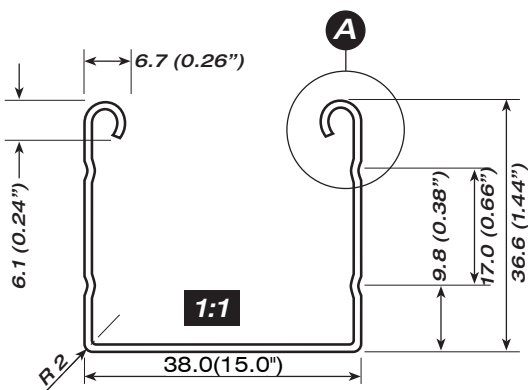
**VENTANA**

**1-9/16 INCH / 40 mm**

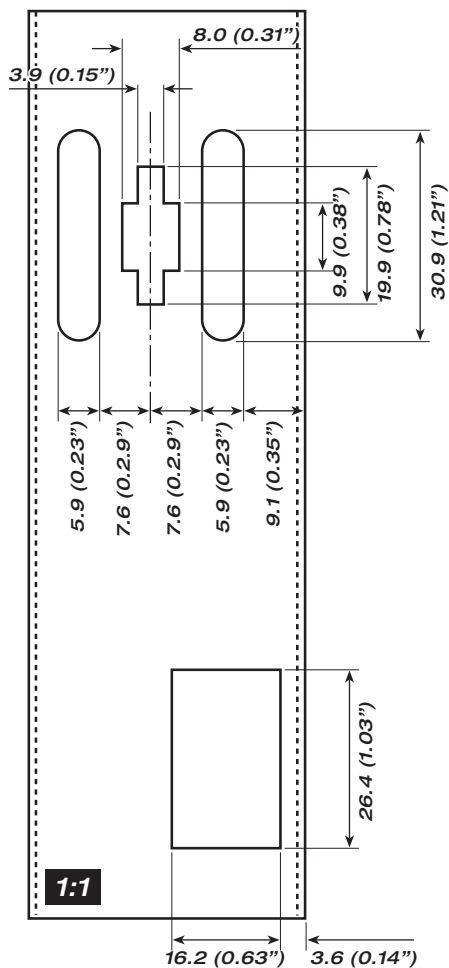
**COMPONENTS**

**1-9/16 INCH / 40 mm**  
**HEAD RAIL**  
**SPECIFICATIONS**

**UNITS: MM (INCHES)**



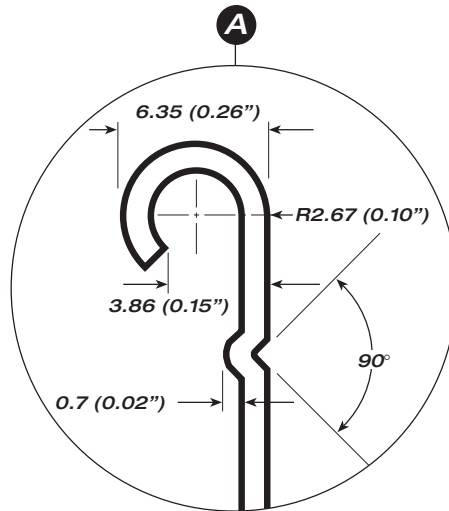
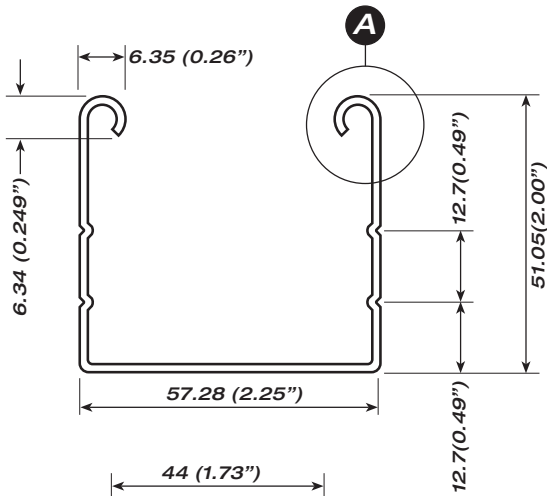
**View "A"**  
**Scale 4:1**



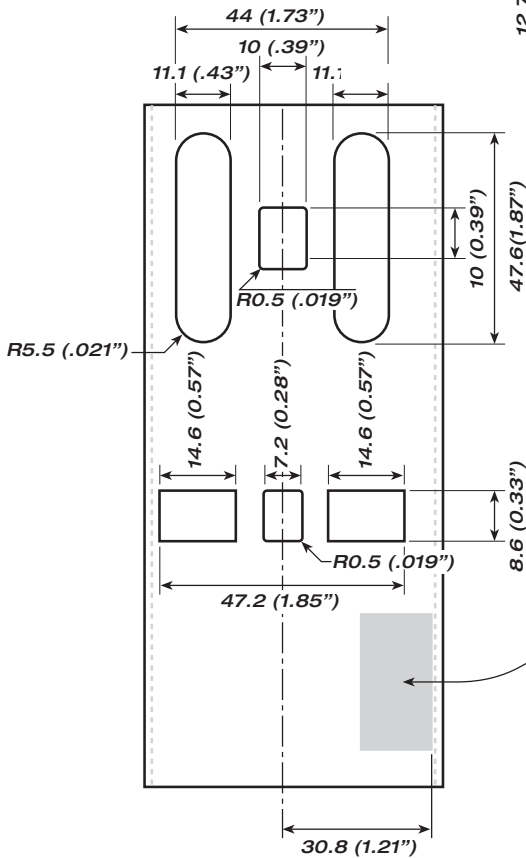
**2 INCH / 50mm HIGH PROFILE**

**HEAD RAIL  
SPECIFICATIONS**

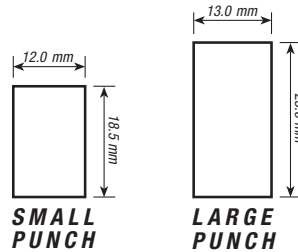
**UNITS: MM (INCHES)**



**View "A"**  
Scale 4:1



**Note:** When ordering cord lock and tilter, please specify punch dimensions as indicated below:

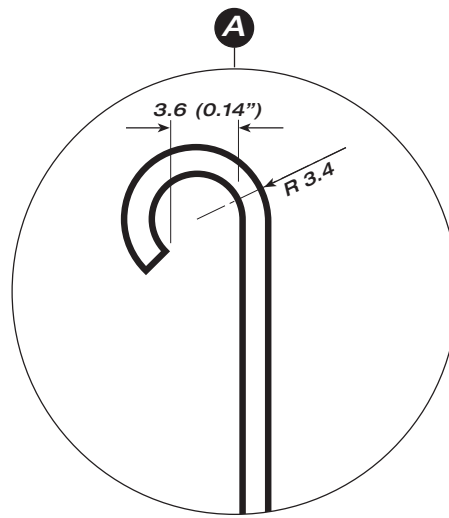
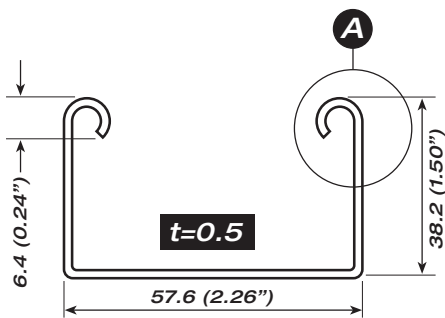




**2 INCH / 50mm LOW PROFILE**

**HEAD RAIL  
SPECIFICATIONS**

**UNITS: MM (INCHES)**



**View "A"**

**Scale 4:1**

