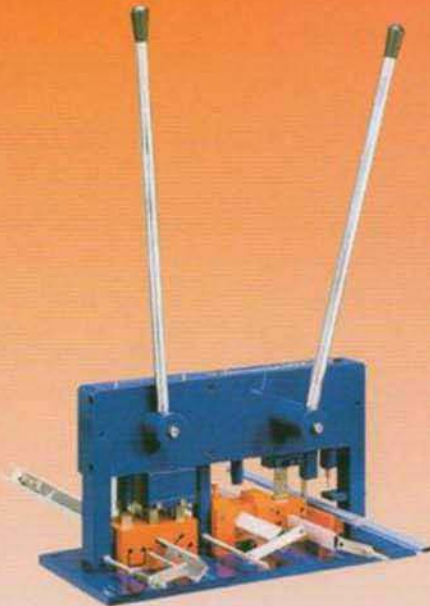




## ALWA-1101 25mm Aluminum Venetian Blind Cutting and Punching Manual Machine for Head Rail & Bottom Rail.



- \* **Cutting Head & Bottom Rail ("Close" Channel or "C" Channel).**
- \* **Punching Cord Lock & Tilt & Support Holes of Head Rail.**
- \* **Punching Ladder Tape Holes of Bottom Rail.**
- \* **Dim. Of Machine (LxWxH) 45CMx22CMx29CM**
- \* **Dim. Of Packing (LxWxH) 65CMx30CMx40CM**
- \* **N.W./G.W. 45KGS/60KGS**
- \* **EASY TO OPERATE AND MAINTAIN.**

### Head rail / Bottom Rail Cut & Punch Machine Manual Operation

#### FEATURES

- ~Punch Tilter, cord lock and tape roll support holes of head rail
- ~Punch plug hole of bottom rail
- ~Head rail & Bottom rail Cut-Down
- ~Can be made for 25/35/50mm. Head rail / Bottom rail

#### TECHNICAL DATA

- ~Manual operation

ITEM NO. : ALWA-3308-1

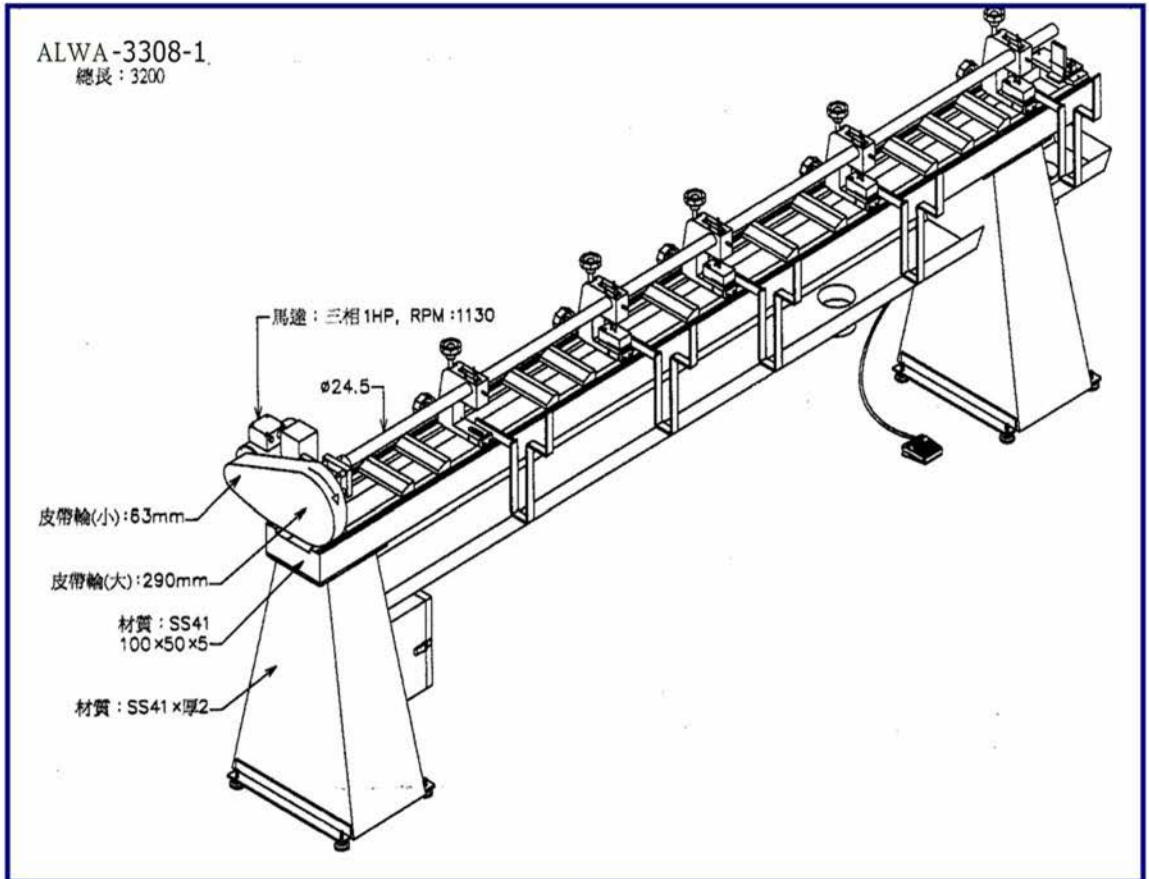
ITEM: WOODEN SLAT PUNCH MACHINE

MANUAL OPERATION

PUNCH PRE-CUT WOODEN , PVC ,FAUX WOOD SLAT

EASY OPERATION AND MAINTAIN

25/35/50MM INTERCHANGEABLE FOR THIS MACHINE



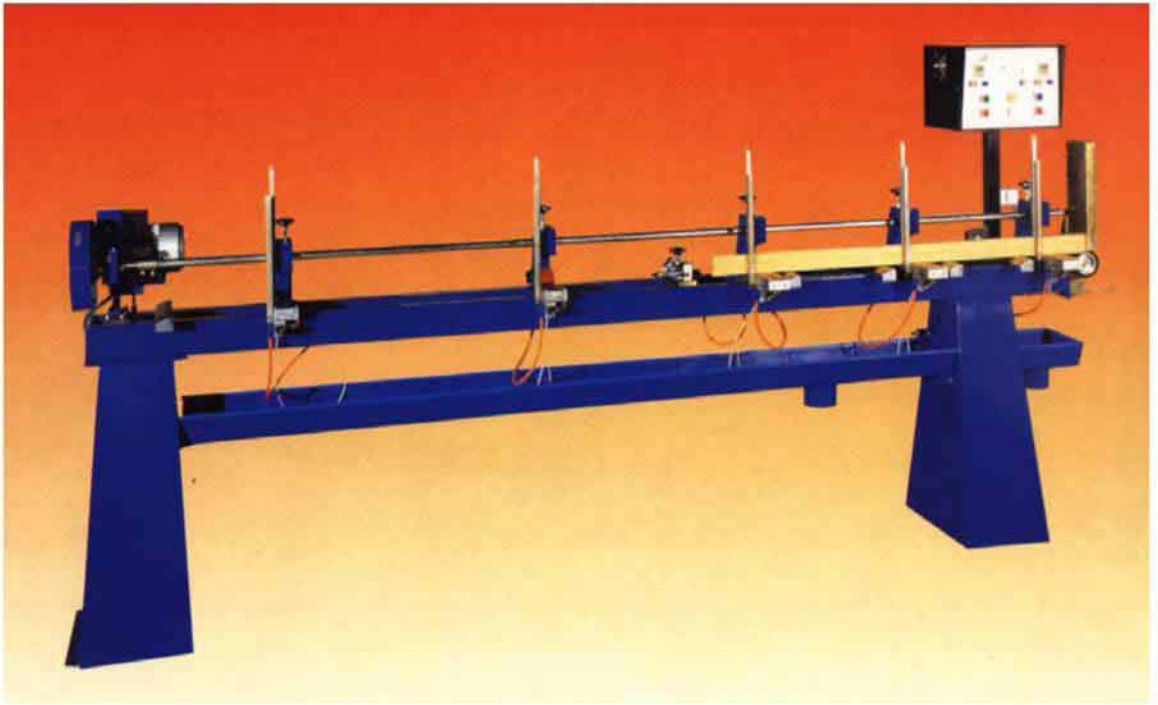
TYPE	ALWA-3308-1
PUNCHING STATION	4
CURRENT	PRE-ADAPTED
MAX. OUTPUT	MANUAL
MAX.SLAT LENGTH	10FT
DIM. OF MACHINE	327/60/127cm
DIM OF PACKING	340/75/150cm
NW/GW	370/590KGS

ALWA-3308-2

BLINDS  
ALWA-3308-2



## ALWA-3308-2 Wooden Venetian Blind Semi-Automatic Making Machines

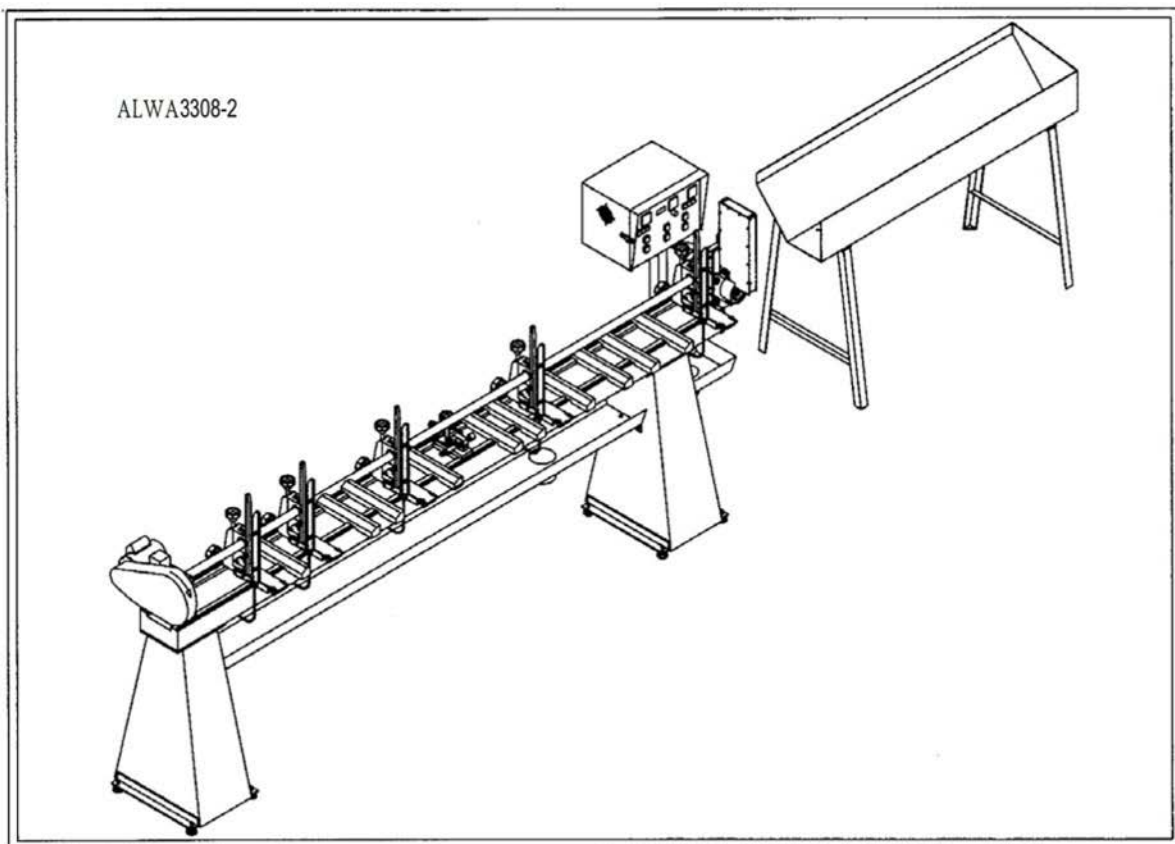


Semi Automatic wooden slat punching machine

ALWA-3308-2

### FEATURES

- ~Semi automatic slat punching with auto feeding
- ~All holes are punched simultaneously.
- ~Easy setting of slat length and punch/thread stations.
- ~Speed adjustable
- ~Can be made by request to 25,35,50mm interchangeable.
- ~Easy maintain and operation



## TECHNICAL DATA

~Pre-adapted for any voltage

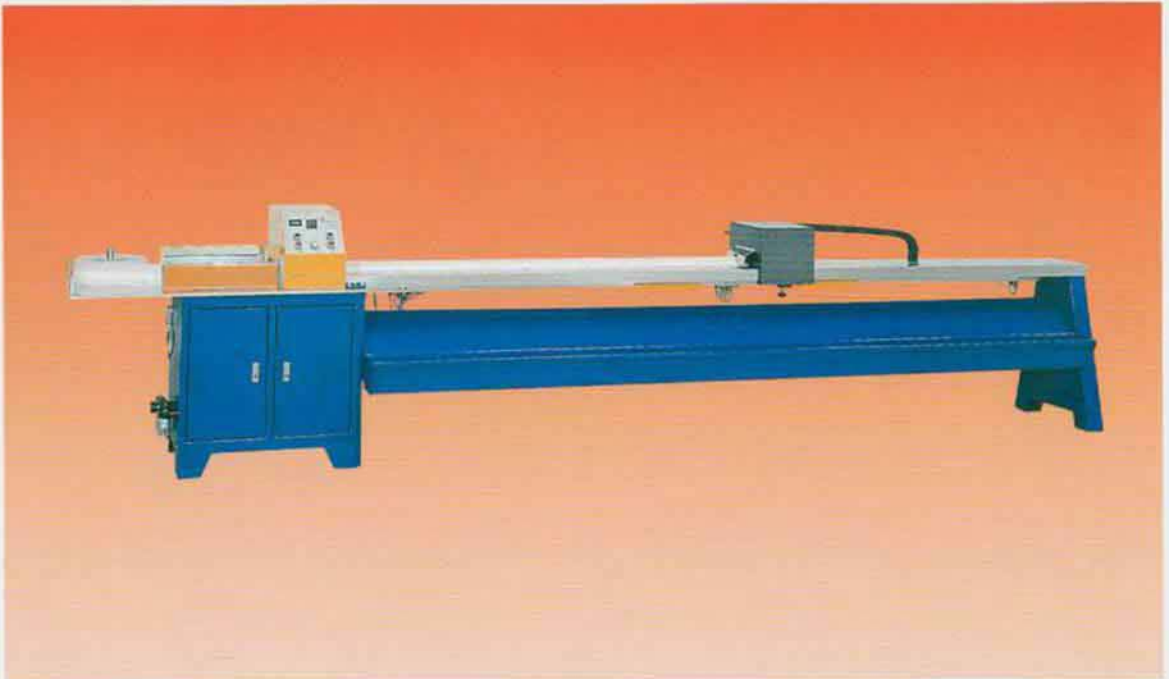
TYPE	ALWA3308-2
PUNCHING STATION	4
CURRENT	PRE-ADAPTED
MAX. OUTPUT	26M/MIN.
MAX.SLAT LENGTH	10FT
EMPLOYABLE PRESSURE	5KG/CM2
DIM. OF MACHINE	355/65/165cm
DIM OF PACKING	381/81/154cm
NW/GW	370/608KGS

**ALWA-5520**

*BLINDS*  
*ALWA-5520*



## **ALWA-5520 Vertical Blind Vanes Automatic Cutting Machines**



Vertical Blind Vanes Automatic Cut-Down Machine

ALWA-5520

### FEATURES

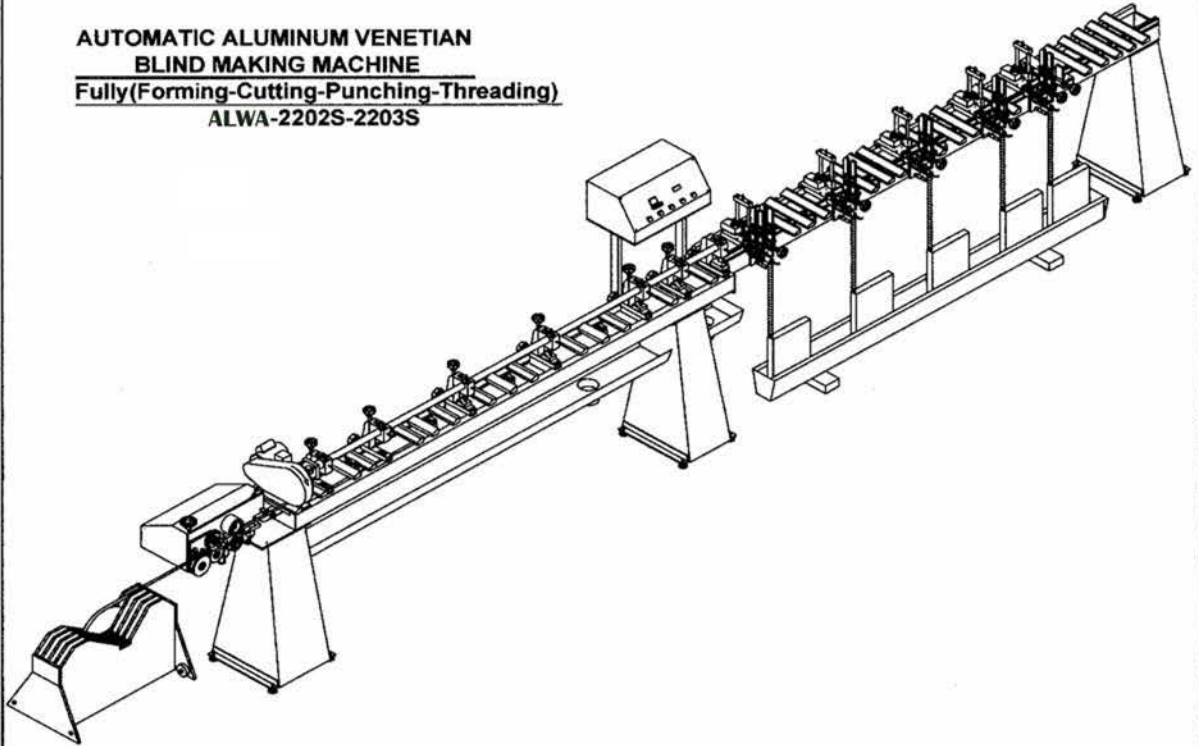
- ~Cut, punch, crease 89mm or 127mm vertical vane in one cycle.
- ~Can Produce up to 3.6 Meter vane.
- ~Easy setting of vane length.
- ~Easy change from 89mm to 127mm width with one simple button.
- ~Vanes automatically stacked
- ~Easy maintain and operation

### TECHNICAL DATA

~Single phase, 220V, 50/60 hz Only.

TYPE	ALWA-5520
MAX. Length	3.6M
Feeding Speed	40M/Minute
CURRENT	Single Phase for voltage 220v 50/60hz
AIR SUPPLY	5KG/CM2
DIM. OF MACHINE	4.9Mx0.6Mx1.2M(LxWxH)
DIM OF PACKING(head)	116/76/130cm
DIM OF PACKING(rear)	416/76/133cm
NW/GW(head)	280/365KGS
NW/GW(rear)	180/405KGS

**AUTOMATIC ALUMINUM VENETIAN  
BLIND MAKING MACHINE**  
**Fully(Forming-Cutting-Punching-Threading)**  
**ALWA-2202S-2203S**



Fully Automatic slat cutting, punching/ forming and threading machine

ALWA-2202s/2203s

~Pre-adapted for any voltage

**FEATURES**

- ~Fully automatic slat cutting, punching, forming and threading machine.
- ~All holes are punched simultaneously.
- ~Easy setting of slat length and punch/thread stations.
- ~Speed fixed
- ~Can be made by request to 16/25mm interchangeable.
- ~Easy maintain and operation

**TECHNICAL DATA**

TYPE	ALWA-2202s	ALWA-2203s
FORMING WHEEL	1	1
PUNCHING MOLD	4	4
CUTTING MOLD	1	1
THREADING STATION	7	5
CURRENT	PRE-ADAPTED	PRE-ADAPTED
MAX. SLAT LENGTH	12FT	10 FT
AIR SUPPLY	5KG/CM <sup>2</sup>	5KG/CM <sup>2</sup>
MAX. OUTPUT	30M/MIN.	30M/MIN.
DIM. OF MACHINE	950/65/160cm	820/65/160cm
DIM OF PACKING	472/128/142cm	414/111/142cm
NW/GW	650/985KGS	600/880KGS