

READY-MADE PVC BLINDS

STANDARD FEATURES

- Available with:
1.0" (25mm), and
2.0" (50mm) slats.
- Wand tilters, with zinc stems, for durability and strength.
- Cord locks with solid brass rollers in a clear polycarbonate housing.
- Color-coordinated cords and hardware.



Packaging —

- Each comes standard in a white box with Hardware Kit packet (4–6 per master carton, depending on size). Also available in UPS shippable box.
- “Bulk-packing” available — for contract applications — eliminates unneeded cardboard waste, and allows for more efficient container packing. Contact us for more information.

Retail Packaging —

- Custom packaging and labeling is available for retail applications. Blinds can be packed in generic boxes with color labels, or fully customized to meet your needs.

Special Features —

- Bar coding, special labeling, specific requirements, and packaging is available. Our experienced staff can

help you with your order and help you make the right choices when ordering blinds.

Programs Available —

We make it easy to order blinds directly from our factory in China.

- Blinds can be ordered in 20 foot or 40 foot containers directly from our factory for the best value.
- We also offer a “Container Add-On Program.”

Average Container Packing —

	1.0"	2.0"
20 ft Container	5,000	1,700 blinds
40 ft Container	8,000	2,500 blinds

NOTE: The amounts listed above are average quantities only. Your actual quantity may vary based on actual sizes that are ordered. Go to CONTAINER PACKING for more details.

1" (25MM)

• PVC HEAD RAIL



PVC

HEAD RAIL	DESCRIPTION	PART NO.
Type	PVC; Extruded	
Color	Color Coordinated	
Dimensions	IB = 0.5" less than stated width; OB = Net Size	
Cord Lock Location	RHC (right hand cord); 4" on-center from end	
Wand Tilter Location	LHC (left hand tilt); 4" on-center from end	
Ladder Location	6" on-center from end	
Head Rail ID Label	Made in China	

BOTTOM RAIL	DESCRIPTION	PART NO.
Type	PVC; Extruded	
Color	Color Coordinated	
Dimensions	IB = 0.5" less than stated width; OB = Net Size	
Lift Cord Route Hole	6" on-center from end	
Warning Label	Attached to center of bottom rail	

SLAT	DESCRIPTION	PART NO.
Type	PVC; Light Filtering	
Size	24.5mm x 0.4mm	
Color	Color Coordinated	
Dimensions	IB = 0.5" less than stated width; OB = Net Size	

VALANCE	DESCRIPTION	PART NO.
Type	PVC; single-slat	
Color	Color Coordinated	
Dimensions	Cut 0.5" larger than stated blind width	

PARTS & ACCESSORIES		
Cord Lock	Universal	51203000
Cord Stop	CPSC Safety Cord Stop on all lift cords	50772000
Tassels	Plastic; color-coordinated	
Wand Tilter	Plastic stem	25101000
Wand	PVC; color-coordinated	
Installation Brackets	Plastic; color-coordinated	
Center Support	Steel; with Zinc plating	

PARTS & ACCESSORIES – cont'd		PART NO.
Valance Clips	Plastic; small; hidden	
Bottom Rail Button	Plastic; color-coordinated	
Hold Down Brackets	Plastic; color-coordinated	
Tape Drum	Plastic	
Tape Drum Support	Plastic; roller on right	
End Brace	Plastic; color-coordinated	
Bottom Rail End Plug	Plastic; clear "C"-style	
Ladder	22.5mm (spacing) x 28mm (width)	
Lift Cord	2.0mm Polyester	
Cord Length	Typically 50% of drop	
Installation Brkt. Screws	3.5mm x 25mm; Hex Drive	
Hold Down Brkt. Screws	3.5mm x 16mm	

PACKAGE	DESCRIPTION
	Each Blind in a plastic bag;
	Each Blind in a white box with hardware accessory kit.
	Blinds up to 47" packed six blinds per master carton;
	Blinds over 47" packed four blinds per master carton.

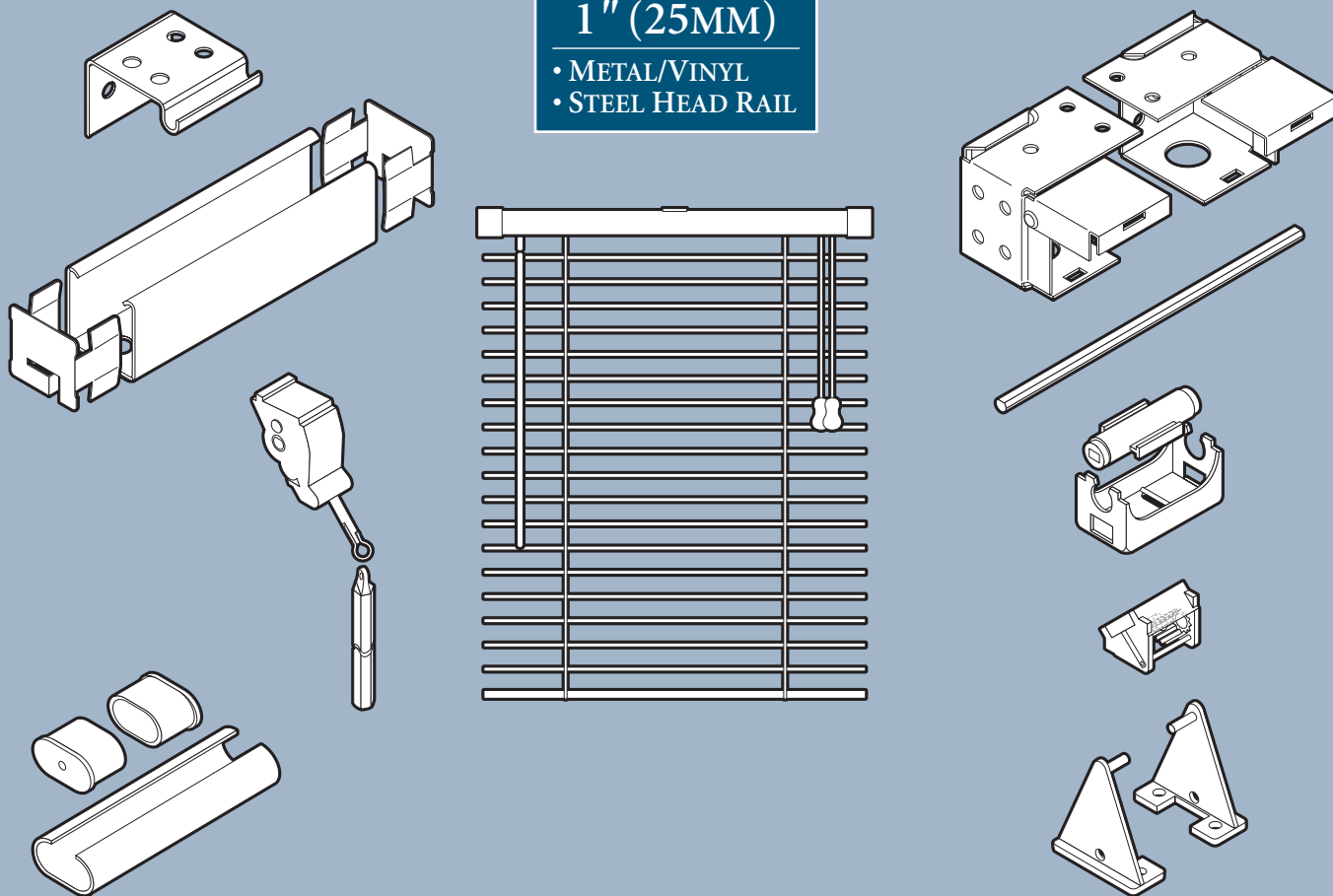
LADDERS & CORDS					
Blind Width:	<28.5"	29"+	40"+	48"+	70"+
Ladders	2	3	3	4	5
Cords	2	2	3	4	3

COMPONENTS BOX				
Blind Width:	<28.5"	29"+	44"+	70"+
Installation Brackets (pair)	1pr	1pr	1pr	1pr
Installation Bracket Screws	8	10	12	14
Hold Down Brackets	2	2	2	2
Hold Down Bracket Screws	4	4	4	4
Valance Clips	2	3	4	4
Center Support(s)	0	1	2	3

1" PVC – PVC Head Rail (rev. 08-0313)

1" (25MM)

- METAL/VINYL
- STEEL HEAD RAIL



HEAD RAIL	DESCRIPTION	PART NO.
Type	Steel	25404xxx
Size	24mm x 26mm x 0.5mm (W x H x T)	
Color	Color Coordinated	
Dimensions	IB = 0.5" less than stated width; OB = Net Size	
Cord Lock Location	RHC (right hand cord); 4" on-center from end	
Wand Tilter Location	LHC (left hand tilt); 4" on-center from end	
Ladder Location	6" on-center from end	
Head Rail ID Label	Made in China	

BOTTOM RAIL	DESCRIPTION	PART NO.
Type	Steel; "C"-style	25405xxx
Size	20mm x 3.9mm x 0.5mm	
Color	Color Coordinated	
Dimensions	IB = 0.5" less than stated width; OB = Net Size	
Lift Cord Route Hole	6" on-center from end	
Warning Label	Attached to center of bottom rail	

SLAT	DESCRIPTION	PART NO.
Type	PVC; Light Filtering	
Size	24.5mm x 0.45mm	
Color	Color Coordinated	
Dimensions	IB = 0.5" less than stated width; OB = Net Size	

VALANCE	DESCRIPTION	PART NO.
Type	PVC; 2-slats	
Color	Color Coordinated	
Dimensions	Cut 0.5" larger than stated blind width	

PARTS & ACCESSORIES	DESCRIPTION	PART NO.
Cord Lock	Universal	51203000
Cord Stop	CPSC Safety Cord Stop on all lift cords	50772000
Tassels	Clear plastic; single tassel per cord	25700000
Wand Tilter	With Zinc stem	25103000
Wand	8mm Clear Hex; typically 50% of drop	25790000
Installation Brackets	Box Style; left and right; hinged upwards	25414xxx

PARTS & ACCESSORIES – cont'd	DESCRIPTION	PART NO.
Center Support	Steel; with Zinc plating	25401000
Valance Clips	Plastic; double-slat	25740000
Bottom Rail Button	Plastic, clear	25510000
Hold Down Brackets	Plastic, clear	25630000
Tape Drum	Plastic	25302000
Tape Drum Support	Plastic; roller on right	25301000
End Brace	Metal	25402000
Bottom Rail End Plug	Plastic; clear "C"-style	25520000
Ladder	22.5mm (spacing) x 28mm (width)	
Lift Cord	1.4mm Polyester	
Cord Length	Typically 50% of drop	
Installation Brkt. Screws	4.0mm x 30mm; Hex Drive	
Hold Down Brkt. Screws	3.5mm x 16mm	

PACKAGE

Each Blind in a plastic bag;
 Each Blind in a white box with hardware accessory kit.
 Blinds up to 47" packed six blinds per master carton;
 Blinds over 47" packed four blinds per master carton.

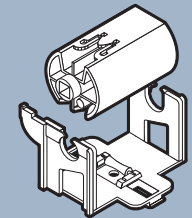
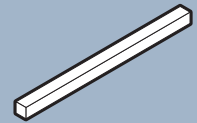
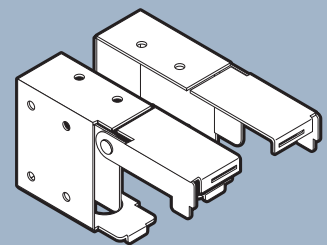
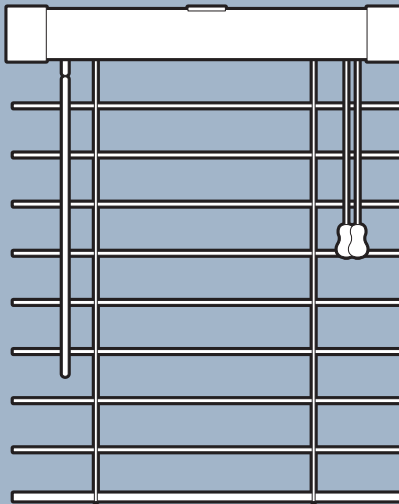
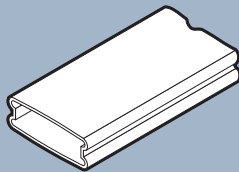
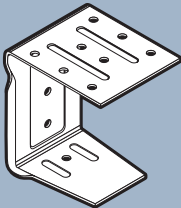
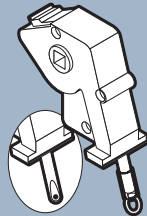
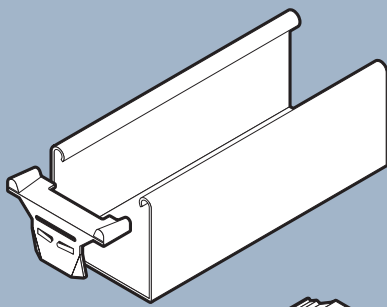
LADDERS & CORDS						
Blind Width:	<30.5"	31"+	43"+	50"+	64"+	80"+
Ladders	2	3	3	4	5	6
Cords	2	2	3	4	3	4

COMPONENTS BOX				
Blind Width:	<45"	45"+	56"+	80"+
Installation Brackets (pair)	1pr	1pr	1pr	1pr
Installation Bracket Screws	8	10	12	14
Hold Down Brackets	2	2	2	2
Hold Down Bracket Screws	4	4	4	4
Valance Clips	2	3	4	4
Center Support(s)	0	1	2	3

1" PVC – Metal/Vinyl – Steel Head Rail (rev: 08-0212)

2" (50MM)

- CURVED PVC SLATS
- HIGH-PROFILE HEAD RAIL



PVC

HEAD RAIL	DESCRIPTION	PART NO.
Type	Steel; High Profile	50404xxx
Size	58mm x 51mm x 0.5mm (W x H x T)	
Color	Color Coordinated	
Dimensions	IB = 0.5" less than stated width; OB = Net Size	
Cord Lock Location	RHC (right hand cord); 3" on-center from end	
Tilter Location	LHC (left hand tilt); 3" on-center from end	
Ladder Location	6" on-center from end	
Head Rail ID Label	Made in China	

BOTTOM RAIL	DESCRIPTION	PART NO.
Type	PVC; hollow	
Size	50.8mm x 16mm	
Color	Color Coordinated	
Dimensions	IB = 0.5" less than stated width; OB = Net Size	
Lift Cord Route Hole	6" on-center from end	
Warning Label	Attached to center of bottom rail	

SLAT	DESCRIPTION	PART NO.
Type	PVC; curved	
Size	50.8mm x .09mm	
Color	Color Coordinated	
Dimensions	IB = 0.5" less than stated width; OB = Net Size	

VALANCE	DESCRIPTION	PART NO.
Type	PVC; curved 2-slats	
Size	50.8mm x .09mm	
Color	Color Coordinated	
Dimensions	Cut 0.5" larger than stated blind width	

PARTS & ACCESSORIES	DESCRIPTION	PART NO.
Cord Lock	Swivel	50201000
Cord Stop	CPSC Safety Cord Stop on all lift cords	50772000
Tassels	Plastic; single tassel per cord	50912xxx
Wand Tilter	Plastic; zinc stem and gear	50102122
Installation Brackets	Color Coordinated	50403xxx

PARTS & ACCESSORIES – cont'd	DESCRIPTION	PART NO.
Center Support	Metal	50401000
Valance Clips	Plastic; double-slat	50744000
Bottom Rail Button	Plastic, clear	50510000
Hold Down Brackets	Plastic, clear	50630000
Tape Drum	Plastic; with shoulders (4mm)	50303204
Tape Drum Support	Plastic; with roller on right	50304211
End Brace	Metal	50402000
Tilt Rod	Steel (4mm)	50803004
Ladder	44mm (spacing) x 54mm (width)	
Lift Cord	1.8mm Polyester; CPSC safety stop on all lift cords	
Cord Length	Typically 50% of drop	
Installation Brkt Screws	4.0mm x 30mm; Hex Drive	
Hold Down Brkt Screws	3.5mm x 16mm	

PACKAGE	DESCRIPTION
	Each Blind in a plastic bag;
	Each Blind in a white box with hardware accessory kit;
	All blinds packed two blinds per master carton.

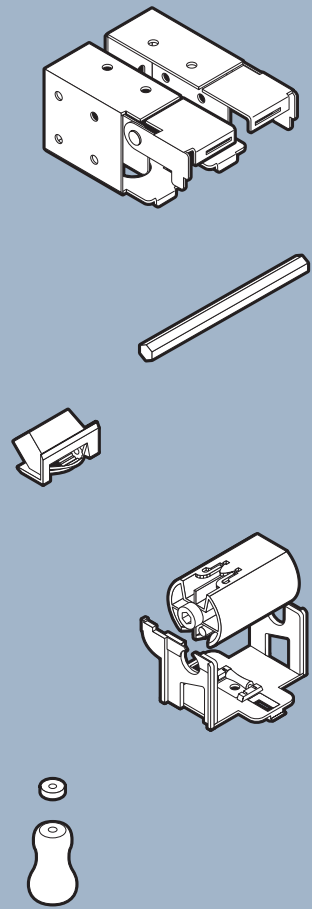
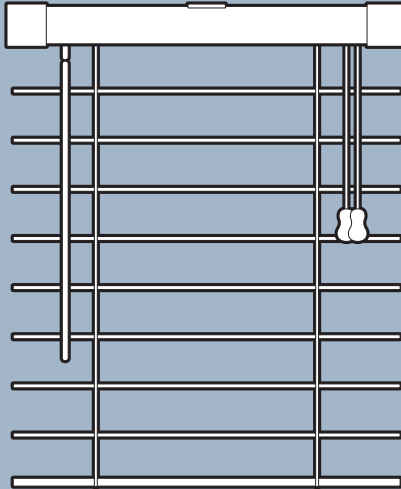
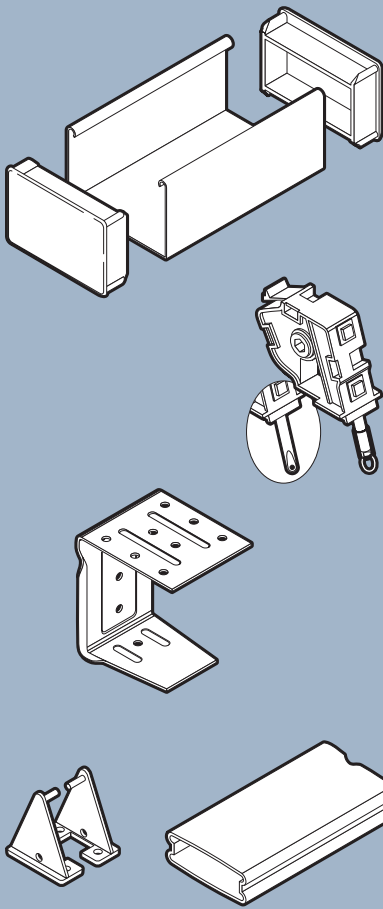
LADDERS & CORDS	DESCRIPTION	31"	31.5"	50.5"	64.5"	70"+
Blind Width — up to:	<31"	31.5"	50.5"	64.5"	70"+	
Ladders	2	3	4	5	6	
Cords	2	2	2	3	4	

COMPONENTS BOX	DESCRIPTION	48"	49"	61"	79"+
Blind Width — up to:	48"	49"	61"	79"+	
Installation Brackets	1 pr	1 pr	1 pr	1 pr	
Installation Bracket Screws	8	10	12	14	
Valance Clips; double-slat	2	3	3	4	
Center Support	0	1	2	3	
Hold Down Bracket	2	2	2	2	
Hold Down Bracket Screws	4	4	4	4	

2" Curved PVC Blinds - HP (rev: 08-0313)

2" (50MM)

- CURVED PVC SLATS
- LOW-PROFILE HEAD RAIL



HEAD RAIL	DESCRIPTION	PART NO.
Type	Steel; Low Profile	51404xxx
Size	58mm x 38mm x 0.5mm (W x H x T)	
Color	Color Coordinated	
Dimensions	IB = 0.5" less than stated width; OB = Net Size	
Cord Lock Location	RHC (right hand cord); 3" on-center from end	
Tilter Location	LHC (left hand tilt); 3" on-center from end	
Ladder Location	6" on-center from end	
Head Rail ID Label	Made in China	

BOTTOM RAIL	DESCRIPTION	PART NO.
Type	PVC; hollow	
Size	50.8mm x 16mm	
Color	Color Coordinated	
Dimensions	IB = 0.5" less than stated width; OB = Net Size	
Lift Cord Route Hole	6" on-center from end	
Warning Label	Attached to center of bottom rail	

SLAT	DESCRIPTION	PART NO.
Type	PVC; curved	
Size	50.8mm x .09mm	
Color	Color Coordinated	
Dimensions	IB = 0.5" less than stated width; OB = Net Size	

VALANCE	DESCRIPTION	PART NO.
Type	PVC; curved 2-slats	
Size	50.8mm x .09mm	
Color	Color Coordinated	
Dimensions	Cut 0.5" larger than stated blind width	

PARTS & ACCESSORIES	DESCRIPTION	PART NO.
Cord Lock	Plastic	51203000
Cord Stop	CPSC Safety cord stop; on all lift cords	50772000
Tassels	Plastic; single tassel per cord	50912xxx
Wand Tilter	Plastic; zinc stem and gear	51104100
Installation Brackets	Color Coordinated	51403xxx

PARTS & ACCESSORIES – cont'd	DESCRIPTION	PART NO.
Center Support	Metal	51401000
Valance Clips	Plastic	50744000
Bottom Rail Button	Plastic	50510000
Hold Down Brackets	Plastic; clear	50630000
Tape Drum	Plastic; with shoulders (4mm)	51303204
Tape Drum Support	Plastic	51308000
End Brace	Metal	51402000
Tilt Rod	Hex (4mm)	35820004
Ladder	44mm (spacing) x 54mm (width)	
Lift Cord	2.0mm Polyester	
Cord Length	Typically 50% of drop	
Installation Brkt Screws	4.0mm x 30mm; Hex Drive	
Hold Down Brkt Screws	3.5mm x 16mm	

PACKAGE

Each Blind in a plastic bag;
 Each Blind in a white box with hardware accessory kit;
 All blinds packed two blinds per master carton.

LADDERS & CORDS	Blind Width — up to:	<22"	22.5"	33.5"	46.5"	58.5"	70.5"+
Ladders		2	3	4	5	6	7
Cords		2	2	2	3	4	4

COMPONENTS BOX	Blind Width — up to:	48"	49"	61"	79"+
Installation Brackets		1 pr	1 pr	1 pr	1 pr
Installation Bracket Screws		8	10	12	14
Hidden Valance Clips		2	3	3	4
Center Support		0	1	2	3
Hold Down Bracket		2	2	2	2
Hold Down Bracket Screws		4	4	4	4